

SDU-H350BM2/BM4

By-pass Oil Filter

- SDU filter housing incl. 1 filter element SDFC
- For hydraulic or other systems with system content up to 400 l
- Input pressure 5 - 350 bar
- Fix installed pressure scales with 4 bar inlet pressure regulation and quantity regulation 2l/minute
- Return line without pressure - directly in the oil tank
- Incl. fastening accessories - without installation kit



Results

- Up to 99.9% water removed (both free and dissolved water)
- Oil cleanliness maintained at "better than new*" levels



Before

After

*(ISO 4406: 13/11/08, NAS Class: 2)

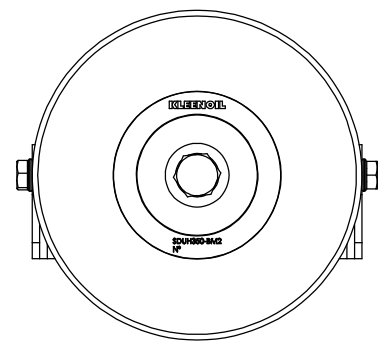
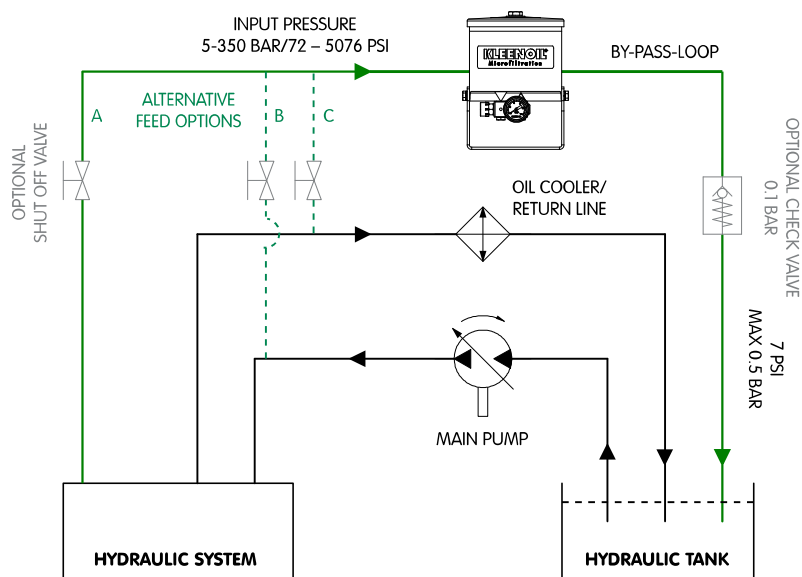
Features

- Input pressure 5-350 Bar
- Flow through filter controlled at 2 litres per minute

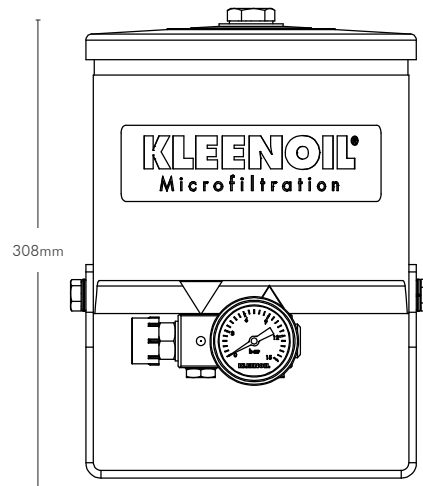
Application Examples

- Earth moving machines
- Forestry equipment
- Mobile cranes
- Drilling/piling equipment
- Static hydraulic systems

Installation Example

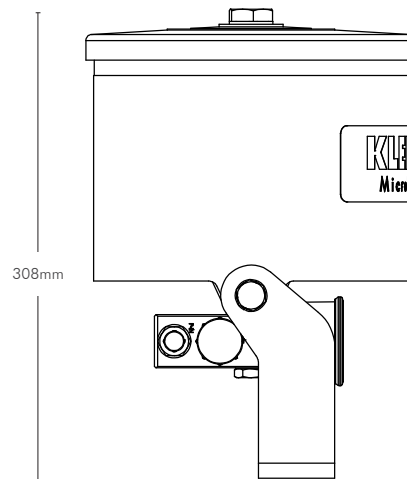


239mm



308mm

239mm



308mm

217mm

Type	Recommended Installation	Flow rate through filter (average value) l/h**	Dimensions (mm)				Connections		Weight (kg)	Filter Element	Retention Capacity per element	
			Ø	H	W	D	Inlet	Outlet			Dirt	Water
SDU-H350BM2/BM4	BY-PASS ONLY! Max. 350 bar inlet and 0.5 bar back pressure. Systems up to 400 l.	120/240	217	308	239	217	M12x1.5 (Internal Thread)	M18x1.5 (Internal Thread)	9.2	SDFC	≤ 2.0 kg	≤ 0.5 l

**flow rates based on ISO 46 oil @ 40°C

**Snijder
Filtertechniek bv**

Randweg 1 | 8061 RW Hasselt
Tel: 038 4773800
Fax: 038 4773888
info@snijderfiltertechniek.nl
www.snijderfiltertechniek.nl

The specification and photography above is for reference only and may be subject to change.
KLEENOIL is a trademark of the company KLEENOIL PANOLIN AG. © KLEENOIL PANOLIN AG. All rights reserved.

KLEENOIL[®]
Microfiltration